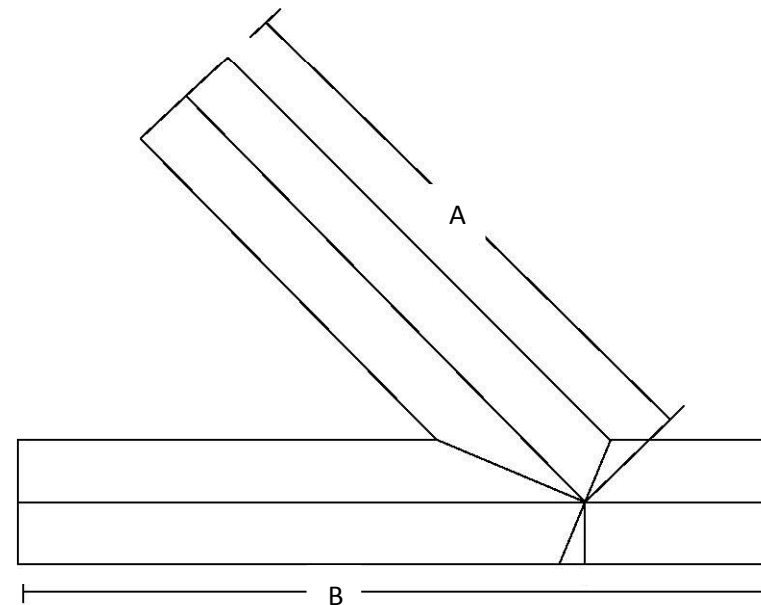



Nominal Size	Made from SDR	WPR	Approx. Dimensions	
			A	B
3	7	112	23.5	29
	9	84		
	11	67		
	17	42		
4	7	112	24.5	30.5
	9	84		
	11	67		
	17	42		
6	7	112	33.25	39.5
	9	84		
	11	67		
	17	42		
8	7	112	36	44
	9	84		
	11	67		
	17	42		
10	7	112	41.25	54.5
	9	84		
	11	67		
	17	42		
12	7	112	42	58.6
	9	84		
	11	67		
	17	42		
14	7	112	55	68
	9	84		
	11	67		
	17	42		
16	7	112	57.5	77
	9	84		
	11	67		
	17	42		
18	7	112	61.75	77
	9	84		
	11	67		
	17	42		
20	7	112	95	113
	9	84		
	11	67		
	17	42		
22	7	112	95.5	113
	9	84		
	11	67		
	17	42		
24	7	112	96	113
	9	84		
	11	67		
	17	42		

NOTES
1. Tolerances +/- 2°
2. Angle toleranes +/- 2.0°
3. Made from HDPE size specific pipe
4. Follow industry standard fusion procedures
5. Follow industry standard quality procedures
6. Custom design available
7. If specific dimensions needed, please call
8. Larger sizes available upon request
9. WPR based on PE 4710 for water at 73° F



	Lateral 45° WYE
	Fabricated by HDPE PRO FITTINGS
1910 Rankin Rd., Houston, TX 77073	PH# 281-951-2626